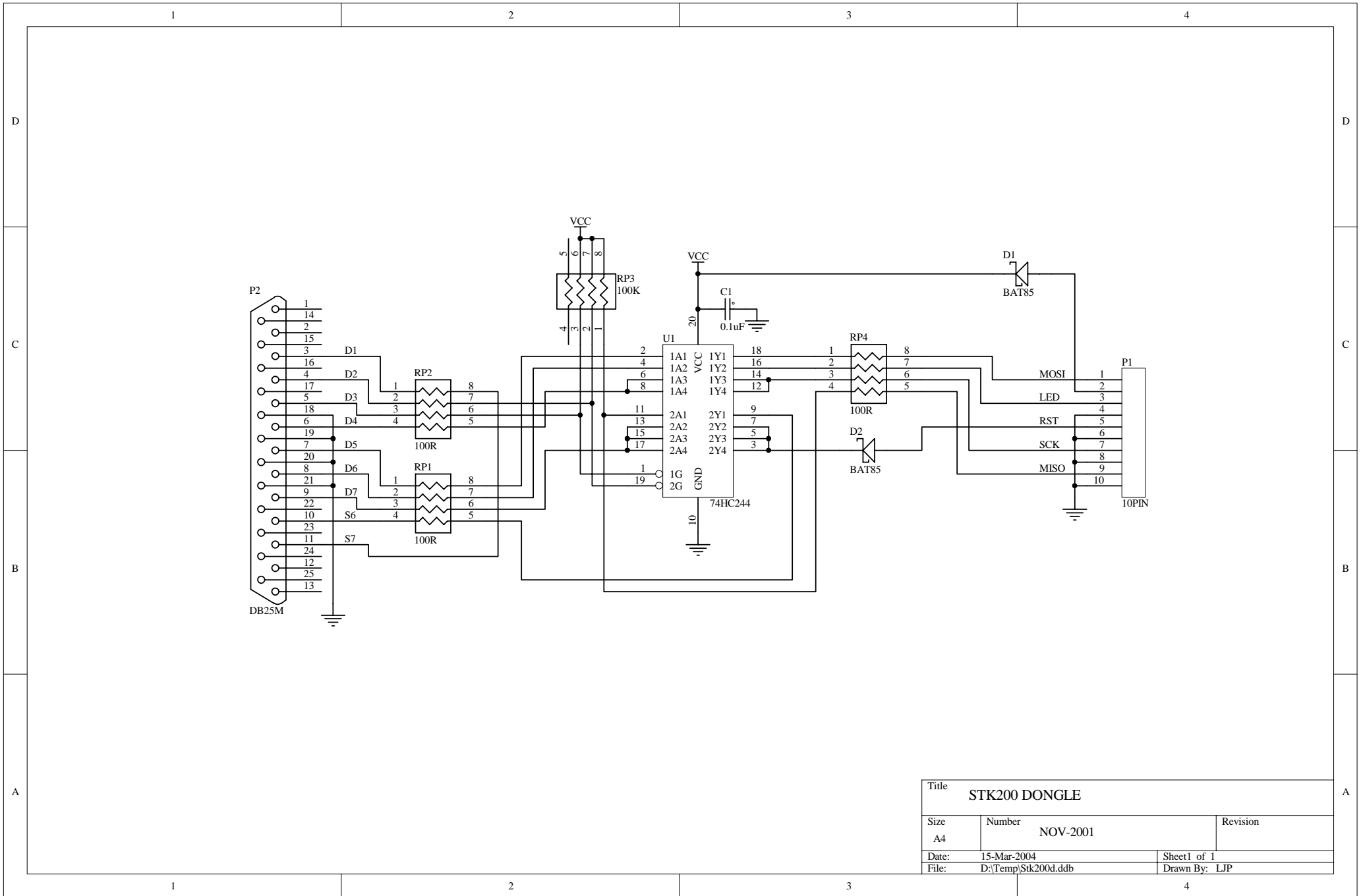


Title		
AVR8535 PROJECT BOARD		
Size	Number	Revision
A3	APR-2002	
Date:	15-Mar-2004	Sheet 1 of 1
File:	D:\Temp\Avr8535.ddb	Drawn By: LJP



Title			STK200 DONGLE		
Size	Number	Revision			
A4	NOV-2001				
Date:	15-Mar-2004	Sheet 1 of 1			
File:	D:\Temp\Stk200d.ddb	Drawn By: LJP			